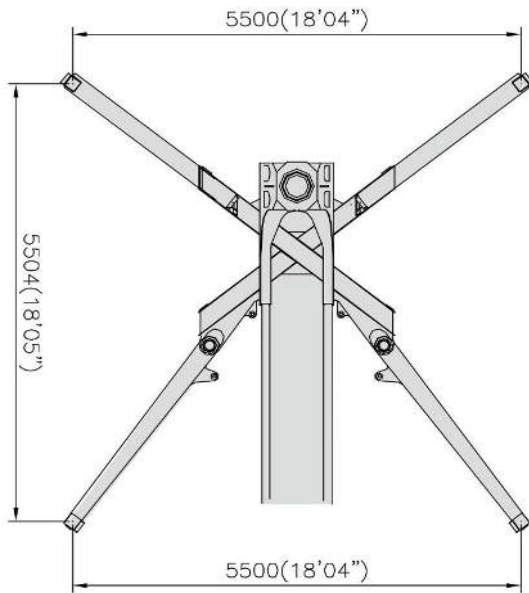


### OUTRIGGER SPAN



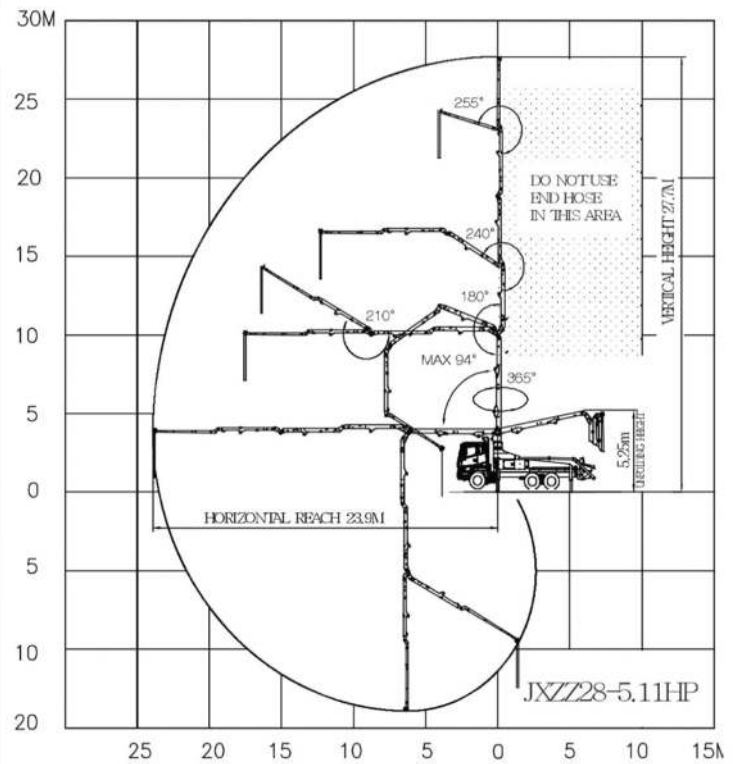
### BOOM SPECIFICATIONS

Vertical Reach	27.7m (91')
Horizontal Reach	23.9m (78'5")
Reach from Front - Cabover	21.0m (68')
Unfolding Height	4.73m (15'6")
1st Section Length	6.15m (20'2")
2nd Section Length	4.5m (14'9")
3rd Section Length	4.35m (14'3")
4th Section Length	4.35m (14'3")
5th Section Length	4.5m (14'9")
Outrigger	X-Style
Front Spread	5.5m (18'4")
Rear Spread	5.5m (19')

### GENERAL SPECIFICATIONS

Pipe Size (ID)	125mm (5")
Boom Control Valve	Proportional
Radio Remote:	Dual Wireless Transmitter System
Vibrator	Standard
Water Pump	Hydraulic Power 20 bar (290 psi)
Water Tank	470L
Wear Parts	Carbide
Upgrades	LED Boom Light Kit Heated Water Tank Heated Hydraulic Tank

### BOOM WORKING DIAGRAM



### PUMP SPECIFICATIONS

Output	Rod Side	109 m3/h
	Piston Side	73 m3/h
Pressure	Rod Side	54 bar
	Piston Side	80 bar
Concrete Cylinder Diameter	230mm (9")	
Concrete Cylinder Type	Hard Chromed	
Stroke Length	1400mm	
S-Tube Size	8" x 7"	
Main Oil Pump	Rexroth Hydromatic A11VSO260	
Hydraulic System Pressure	350 bar (5076 psi)	
Lube System (Hopper)	Automatic	
Switching System	Hydraulic	
Hopper Capacity	Easy Clean 600L (158G)	
Number of Strokes/Min	31	
Output Control Range	10(13)~109m3/h (215yd3/h)	