



1STCALL

CONCRETE PUMPING LTD.

38M

JXZZ 38-5.16

GENERAL

PIPE SIZE (ID)	125 mm (5")
BOOM CONTROL VALVE	Proportional (by HAWE)
RADIO REMOTE	Dual Wireless Transmitter System
VIBRATOR	Standard
WATER PUMP	Hydraulic Power 20 bar (290 psi)
WATER TANK	800 L (211 G)
WEAR PARTS	Carbide
POPULAR UPGRADES [‡]	<ul style="list-style-type: none"> • LED Boom Light Kit • LED Outrigger Lights • Heated Water Tank • Heated Hydraulic Tank • Air-Cuff • Twin Wall Pipe • 20 Cell Pump Kit • 18 Cell Pump Kit

BOOM

NUMBER OF BOOMS	5 Sections
FOLDING TYPE	ZZ Type
VERTICAL HEIGHT	37.5 m (123')
HORIZONTAL REACH	33.5 m (109'11")
UNFOLDING HEIGHT	7.3 m (23'11")
1ST SECTION	7.8 m (25'7")
2ND SECTION	6.1 m (20")
3RD SECTION	6.3 m (20'8")
4TH SECTION	6.6 m (21'8")
5TH SECTION	6.7 m (22')
OUTRIGGER	X-Style
FRONT SPREAD	6.0 m (19'8")
REAR SPREAD	7.8 m (25'7")

PUMP

OUTPUT:	Rod Side	164 m³/h (215 yd³/h)
	Piston Side	102 m³/h (133 yd³/h)
PRESSURE:	Rod Side	72 Bar (1044 psi)
	Piston Side	115[‡] bar (1668 psi)
CONCRETE CYLINDER DIAMETER	230 mm (9")	
CONCRETE CYLINDER TYPE	Hard Chromed	
STROKE LENGTH	2100 mm (83")	
S-TUBE SIZE	9" x 7"	
MAIN OIL PUMP	Rexroth hydromatic A11VLO260	
HYDRAULIC SYSTEM PRESSURE	350 bar (5076 psi)	
LUBE SYSTEM (HOPPER)	Automatic	
SWITCHING SYSTEM	Hydraulic	
HOPPER CAPACITY	Easy Clean 600 L (158 G)	
NUMBER OF STROKES/MIN	31	
OUTPUT CONTROL RANGE	10(13)-164m³/h (215yd³/h)	

[‡]Not to be used through boom pipe

[‡]More options available, ask your sales rep for details.

Alliance Concrete Pumps Inc. reserves the right to make changes to all specifications

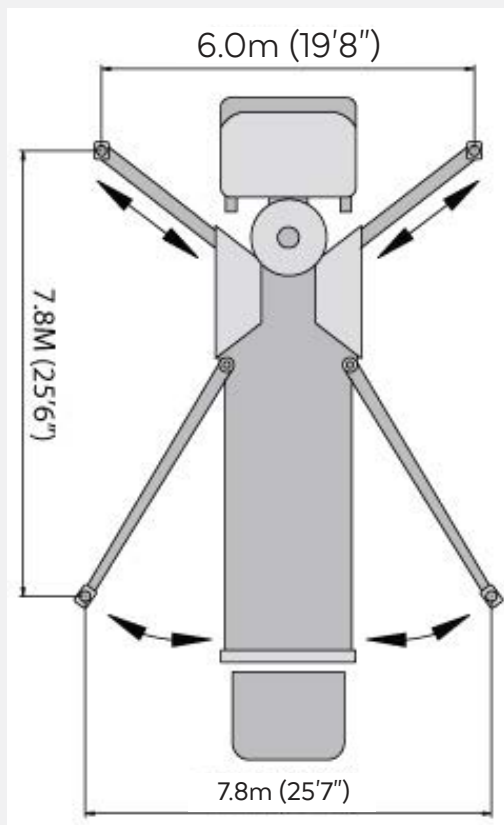


CHASSIS

MAKE/MODEL	FRONT AXLE	REAR AXLE	OVERALL LENGTH	TOTAL WEIGHT
LARGE CONVENTIONAL	18,300 lbs	43,800 lbs	39'2" / 11.94m	62,100 lbs
CAB OVER	19,900 lbs	40,500 lbs	36'10" / 11.25m	60,400 lbs

DIAGRAMS

OUTRIGGER EXTENSION



BOOM PUMP REACH

