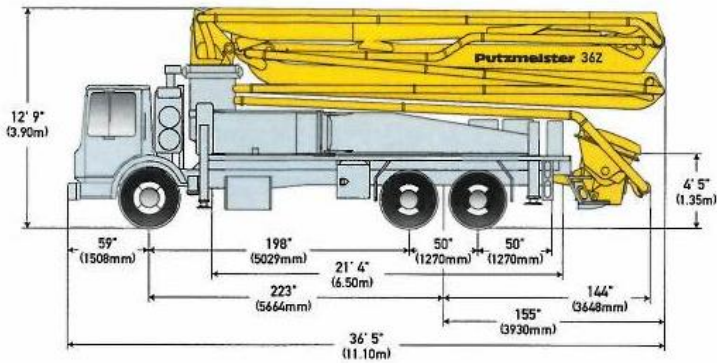


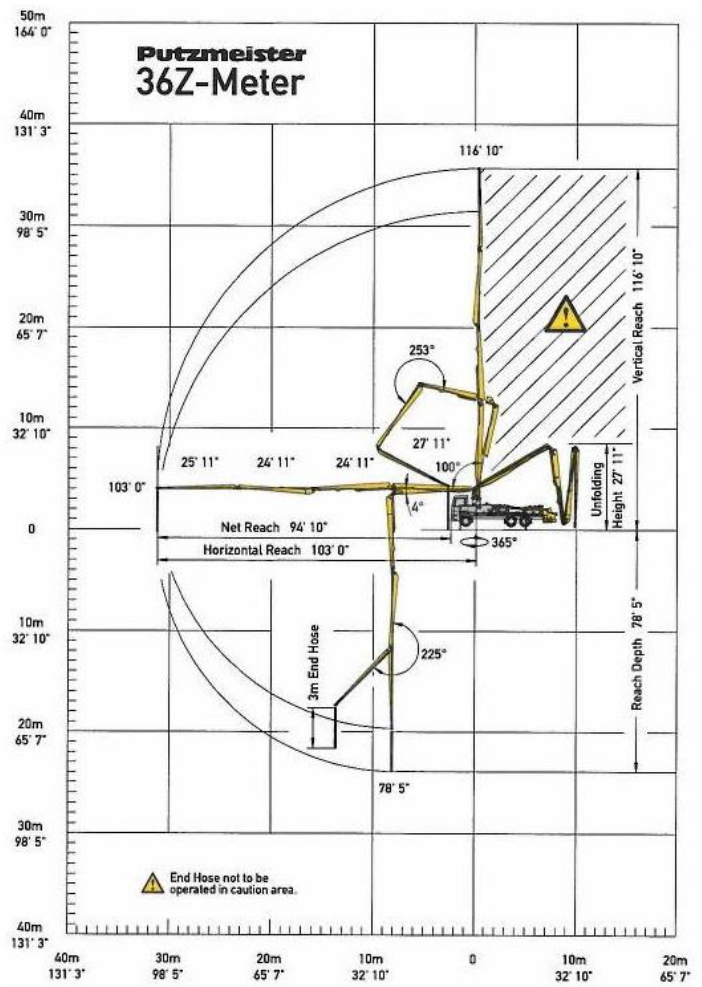


## PUTZMEISTER 36 METER ZZ-FOLD



BOOM SPECIFICATIONS	
Vertical Reach	35.61m (116'10")
Horizontal Reach	31.39m (103')
Reach from Front - Conventional	28.91m (94'10")
Reach Depth	23.9m (78'5")
Unfolding Height	8.51m (27'11")
1st Section Length	8.51m (27'11")
2nd Section Length	7.59m (24'11")
3rd Section Length	7.59m (24'11")
4th Section Length	7.9m (25'11")
Outrigger	X-Style
Front Spread	5.51m (18'1")
Rear Spread	7.0m (23')

GENERAL SPECIFICATIONS	
Pipe Size (ID)	125mm (5")
Boom Control Valve	Proportional
Radio Remote:	Dual Wireless Transmitter System
Vibrator	Standard
Water Pump	Hydraulic Power 20 bar (290 psi)
Water Tank	700L (185 G)
Wear Parts	Carbide
Upgrades	LED Boom Light Kit Heated Water Tank Heated Hydraulic Tank



PUMP SPECIFICATIONS		
Output	Rod Side	160 m3/h (210 yd3/h)
	Piston Side	108 m3/h (141 yd3/h)
Pressure	Rod Side	85 bar (1233 psi)
	Piston Side	130 bar (1885 psi)
Concrete Cylinder Diameter	230mm (9")	
Concrete Cylinder Type	Hard Chromed	
Stroke Length	2100mm (83")	
Main Oil Pump	Rexroth Hydromatic A11VSO260	
Hydraulic System Pressure	350 bar (5076 psi)	
Lube System (Hopper)	Automatic	
Switching System	Hydraulic	
Hopper Capacity	550L (145 G)	