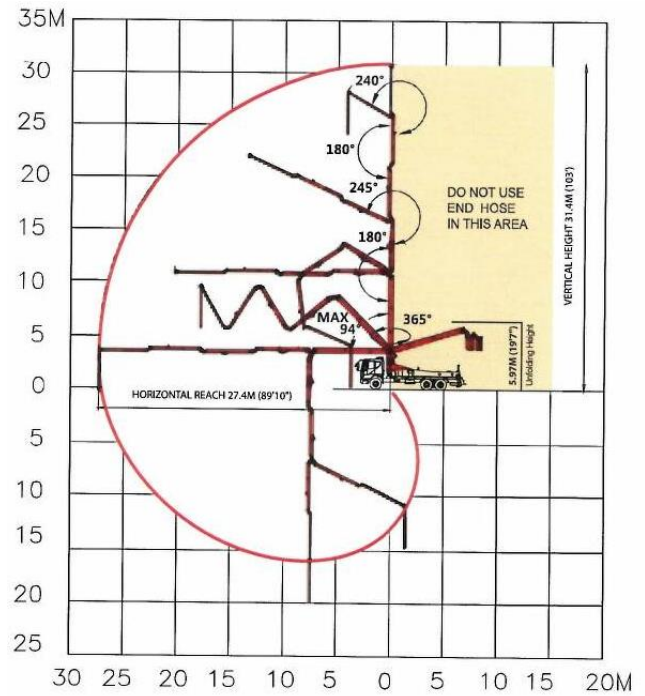
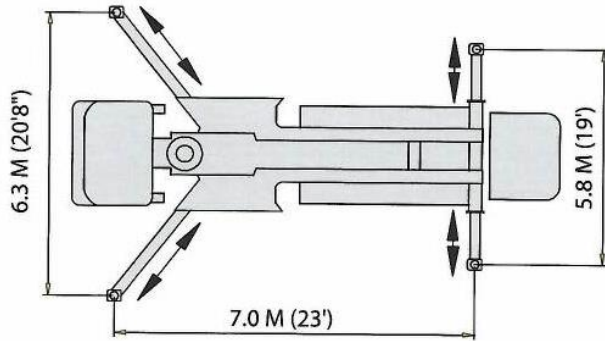




## ALLIANCE 32 METER ZZ-FOLD



BOOM SPECIFICATIONS	
Vertical Reach	32.4m (103')
Horizontal Reach	27.4m (89'10")
Reach from Front - Conventional	24.4m (80')
Unfolding Height	5.97m (19'7")
1st Section Length	7.3m (23'11")
2nd Section Length	5.2m (14'1")
3rd Section Length	5.0m (16'5")
4th Section Length	5.0m (16'5")
5th Section Length	4.9m (16'1")
Outrigger	T-Style
Front Spread	6.3m (20'8")
Rear Spread	5.8m (19')

PUMP SPECIFICATIONS		
Output	Rod Side	164 m3/h (215 yd3/h)
	Piston Side	102 m3/h (133 yd3/h)
Pressure	Rod Side	72 bar (1044 psi)
	Piston Side	115 bar (1668 psi)
Concrete Cylinder Diameter	230mm (9")	
Concrete Cylinder Type	Hard Chromed	
Stroke Length	2100mm (83")	
S-Tube Size	8" x 7"	
Main Oil Pump	Rexroth Hydromatic A11VSO260	
Hydraulic System Pressure	350 bar (5076 psi)	
Lube System (Hopper)	Automatic	
Switching System	Hydraulic	
Hopper Capacity	Easy Clean 600L (158G)	
Number of Strokes/Min	31	
Output Control Range	10(13)~164m3/h (215yd3/h)	

GENERAL SPECIFICATIONS	
Pipe Size (ID)	125mm (5")
Boom Control Valve	Proportional
Radio Remote:	Dual Wireless Transmitter System
Vibrator	Standard
Water Pump	Hydraulic Power 20 bar (290 psi)
Water Tank	540L (143 G)
Wear Parts	Carbide
Upgrades	LED Boom Light Kit Heated Water Tank Heated Hydraulic Tank